

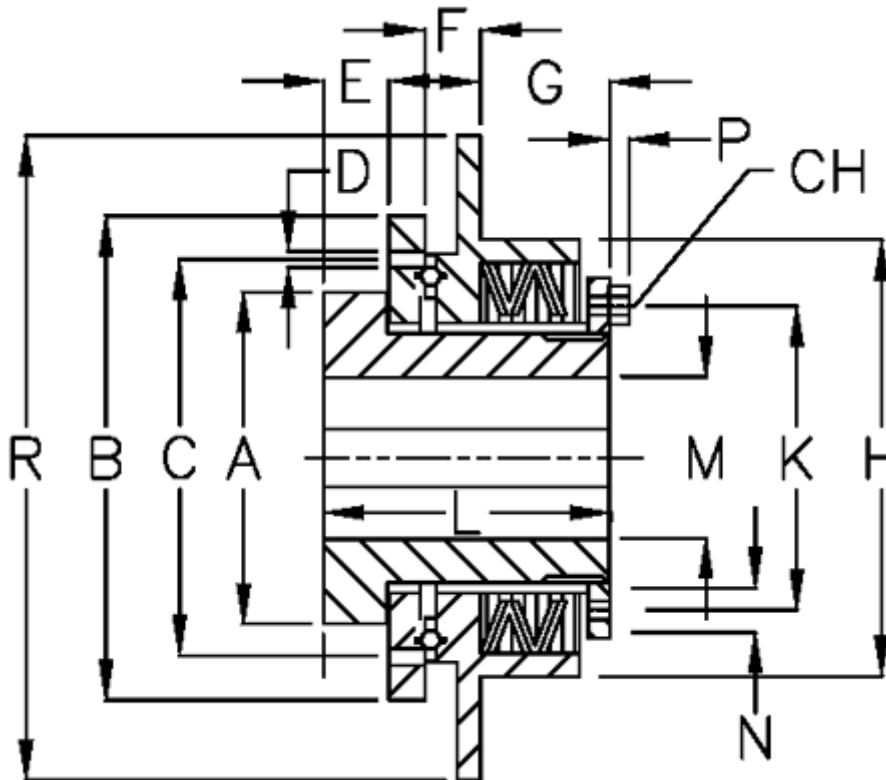
Data Sheet



Article number: 46962012

Description: Synchron mini E 20 M

Measures



A	= 36	F	= 6.0	P = 3.0
B	= 55	G	= 22.0	R = 80
C	= 46	H	= 53	
CH	= 7	K	= 38	
D	= 6xM5	L	= 50	
Disc spring mounting	= 3x1M	M max	= 20	
Disc spring version	= M - medium	M min	= 7	
E	= 12.0	N	= $\varnothing 3$	